



FREESTANDING STOVES



2023 Enviro Price Lists

Select a product below for specific pricing and available options

FREESTANDING STOVES

Berkeley FS	3
S20 FS	5
S40 FS	6
S50 FS	8
Cube FS NEW	12
Westley FS	14
Westport Cast Iron FS	15
Westport Steel FS	17





BERKELEY

CAST IRON GAS STOVE



ORDERING NOTES

- To complete a unit, you need to order:
 - A body (ie BRKID - painted black)
- Includes log set, fluted liner, convection fan.
- LP Conversion Kit available separately for IPI units.

STARTS AT

\$6,376 MSRP

BRKID base model is ready to install with fluted liner & log set.

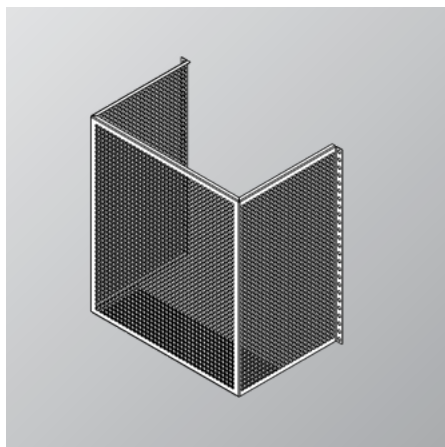
PART #	DESCRIPTION	MSRP
STEP 1: CHOOSE A BODY		
BRKID	Berkeley FS Cast Iron Gas Stove IPI w/Log Set, Fluted Liner, Fan & Remote - Painted Black	\$6,376
BRKID-AC	Berkeley FS Cast Iron Gas Stove IPI w/Log Set, Fluted Liner, Fan & Remote - Antique Chestnut	\$6,783

ADDITIONAL ACCESSORIES (OPTIONAL)

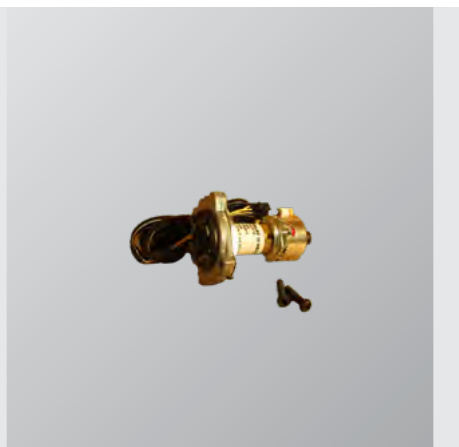
50-4148	DEXEN IPI NG to LP Conversion Kit (Stepper Motor Only) Orifice included with unit.	\$99
50-4151 50-3266	B Vent Draft Hood Adaptor BRK/S40/WSLY - SIT & Dexen *Will not work with BRK IPI Sit Valve Units Termination Guard	\$160 \$135



Berkeley Cast Iron Gas Stove Accessories



50-3266
Termination Guard



50-4148
DEXEN IPI NG to LP Conversion Kit
(Stepper Motor Only)
Orifice included with units.



S20 GAS STOVE



ORDERING NOTES

- To complete a unit, you need to order:
 - A body (S20ID)
- Includes log set, fluted liner, convection fan, and remote.
- LP Conversion Kit available separately for IPI units.

STARTS AT

\$4,411 MSRP

S20ID base model is ready to install with fluted liner & log set.

PART #	DESCRIPTION	MSRP
STEP 1: CHOOSE A BODY		
S20ID	S20 FS Gas Stove IPI w/Log Set, Fluted Liner, Fan & Remote	\$4,411

ADDITIONAL ACCESSORIES (OPTIONAL)

50-4148	DEXEN IPI NG to LP Conversion Kit (Stepper Motor Only) Orifice included with unit.	\$99
MV223	Direct Vent Terminal Guard - 4" X 6" DV (14 7/8" x 14 7/8" x 10.5" D)	\$70





S40 GAS STOVE



ORDERING NOTES

- To complete a unit, you need to order:
 1. A body (S40ID)
- Includes log set, fluted liner, convection fan, and remote.
- LP Conversion Kit available separately for IPI units.

STARTS AT

\$5,008 MSRP

S40ID base model is ready to install with fluted liner & log set.

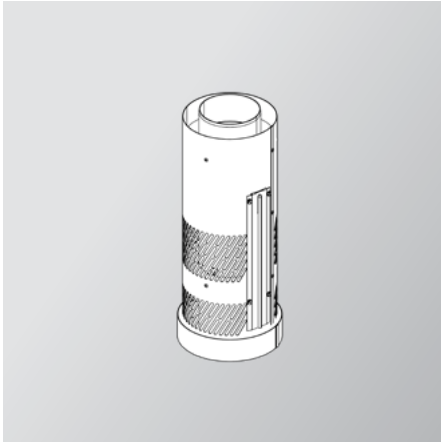
PART #	DESCRIPTION	COST	MSRP
STEP 1: CHOOSE A BODY			
S40ID	S40 FS Gas Stove IPI w/Log Set, Fluted Liner, Fan		\$5,008

ADDITIONAL ACCESSORIES (OPTIONAL)

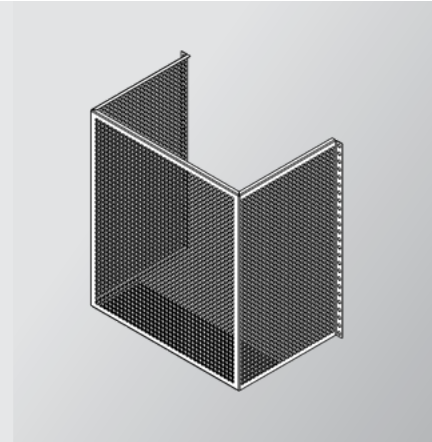
50-4151	B Vent Draft Hood Adaptor BRK/S40/WSLY - SIT & Dexen		\$160
50-3266	Termination Guard		\$135
50-4148	DEXEN IPI NG to LP Conversion Kit (Stepper Motor Only) Orifice included with unit.		\$99
MV223	Direct Vent Terminal Guard - 4" X 6" DV (14 7/8" x 14 7/8" x 10.5" D)		\$70



S40 Freestanding Gas Stove Accessories



50-4151
B Vent Draft Hood Adapter
BRK/S40/WSLY - SIT &
Dexen



50-3266
Termination Guard



50-4148
DEXEN IPI NG to LP Conversion Kit
(Stepper Motor Only)
Orifice included with units.



S50 GAS STOVE

ORDERING NOTES

- To complete a unit, you need to order:
 - A body
 - Firebox Media (ie. 50-4071 - Diamond Glass Media - Black)
 - Your choice of pedestal (ie. 50-4072 - Pole Pedestal - Metallic Black)
- Includes steel liner, top light & remote.
- Convection fan available separately.
- LP Conversion Kit available separately.
- Includes matching finish door cover; alternate door covers also available separately.
- For a suspended installation, order one S50 Suspension Kit plus additional support segments (1 and/or 2 ft) as needed (max 14ft). See S50 Suspended Installation Guide for more details.



STARTS AT

\$6,482 MSRP

S50I plus 50-4071 Black Glass Media, and

50-4072 Pole Pedestal - Metallic Black.




PART #	DESCRIPTION	MSRP
STEP 1: CHOOSE A BODY		
S50I	S50 FS Gas Stove IPI Painted Black w/Steel Liner & Remote (No Fan)	\$6,023
S50I-CW	S50 FS Gas Stove IPI Carrara White w/Steel Liner & Remote (No Fan)	\$6,198
STEP 2: CHOOSE FIREBOX MEDIA		
50-4069	S50 Traditional Log Set	\$447
50-4070	S50 Birch Log Set	\$533
50-3838	River Rock Set w/ Twigs	\$809
50-4071	Black Diamond Glass Kit	\$186



PART #	DESCRIPTION	MSRP
STEP 3A: CHOOSE A PEDESTAL		
50-4072	S50 Pole Pedestal - Metallic Black	\$341
50-4078	S50 Pole Pedestal - Carrara White	\$624
50-4073	S50 Wood Pedestal - Metallic Black	\$982

STEP 3B: SUSPENDED INSTALLATION (NO PEDESTAL)		
50-4074	S50 Metallic Black Suspension Kit (Incl. Lid, 1ft Support Segment)*	 \$1,470
50-4298	S50 Carrara White Suspension Kit (Incl. Lid, 1ft Support Segment)*	 \$1,600
50-4299	S50 1ft Segment Suspension Support & Cover	 \$380
50-4300	S50 2ft Segment Suspension Support & Cover	 \$470

ADDITIONAL ACCESSORIES (OPTIONAL)

50-4075	S50 Black Glass Liner	\$702
50-4076	S50 Fluted Liner	\$240
50-4189	S50 Door Cover - Carrara White <i>(included with S50I-CW)</i>	 \$494
50-4270	S50 Door Cover - Radiant Red	 \$494
50-4271	S50 Door Cover - Sage Green	 \$494
50-4247	S50 IPI Circulation Fan Kit - 70 CFM	\$174
50-3753	SIT IPI NG to LP Conversion Kit (Stepper Motor Only) Orifice included with unit.	\$161
MV233	Direct Vent Terminal Guard - 4" x 6" DV (14 7/8" x 14 7/8" x 10.5"D)	\$70

* 50-4074 & 50-4298 Suspension Kits Include:

- Matching Lid (Black or White)
- 1ft Support Segment w/Cover
- 20ft Wiring
- Mounting Brackets
- Ceiling Finishing Cover

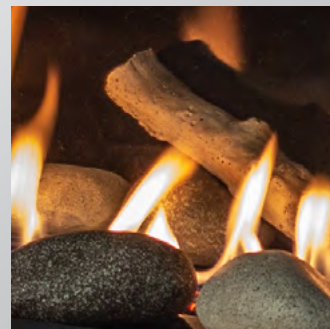
S50 Curved Gas Stove



50-4069
S50 Traditional Log Set



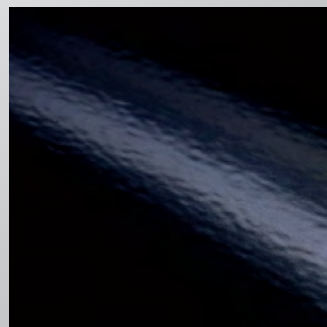
50-4070
S50 Birch Log Set



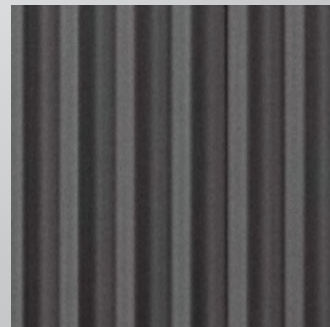
50-3838
S50 River Rock w/ Twigs



50-4071
S50 Black Diamond Glass



50-4075
S50 Black Glass Liner



50-4076
S50 Fluted Liner



50-4072
S50 Pole Pedestal - Metallic Black



50-4078
S50 Pole Pedestal - Carrara White



50-4073
S50 Wood Pedestal - Metallic Black

S50 Curved Gas Stove



50-4189
S50 Door Cover - Carrara White
(Included with S50I-CW)



50-4270
S50 Door Cover - Radiant Red



50-4271
S50 Door Cover - Sage Green



50-4074
S50 Metallic Black Suspension Kit
(Incl. Lid, 1ft Support Segment)



50-4298
S50 Carrara White Suspension Kit
(Incl. Lid, 1ft Support Segment)



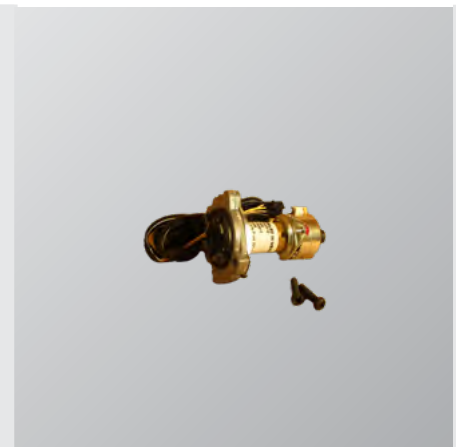
50-4299
S50 1ft Segment Suspension Support & Cover



50-4300
S50 2ft Segment Suspension Support & Cover



50-4247
S50 IPI Circulation Fan Kit - 70 CFM



50-3753
SIT IPI NG to LP Conversion Kit
(Stepper Motor Only)
Orifice included with units



CUBE GAS STOVE

ORDERING NOTES

- To complete a log set unit, you need to order:
 - A body (CUBEI)
 - A base (ie 50-4302 Cube Table)
- LP Conversion Kits Available separately.
- Additional or alternative options can be purchased separately.

STARTS AT

\$4,002 MSRP

CUBEI plus 50-4302 Cube Table



PART #	DESCRIPTION	MSRP
STEP 1: CHOOSE A BODY		
CUBEI	Cube Gas Stove IPI w/Log Set, Fluted Liner & Remote *Availability Late May 2023	\$3,728
STEP 2: CHOOSE A BASE		
50-4302	Cube Table	\$274
50-4303	Cube Long Table	\$559
ADDITIONAL ACCESSORIES (OPTIONAL)		
50-4323	Cube Outer Panel Kit - Cypress Green	\$598
50-4324	Cube Outer Panel Kit - Bordeaux Red	\$598
50-4325	Cube Outer Panel Kit - Sage Green	\$598



PART #	DESCRIPTION	MSRP
50-4304	Cube IPI Fan Kit 150 CFM	\$336
50-841	B Vent Draft Hood Adapter	\$343
50-3753	SIT IPI NG to LP Conversion Kit (Stepper Motor Only) Orifice included with unit.	\$161

Cube Gas Stove Accessories



50-4302
Cube Table



50-4303
Cube Long Table



50-4304
Cube IPI Fan Kit 150 CFM



50-4302
Cube Outer Panel Kit
Cypress Green



50-4303
Cube Outer Panel Kit
Bordeaux Red



50-4304
Cube Outer Panel Kit
Sage Green



Westley

GAS STOVE



ORDERING NOTES

- To complete a unit, you need to order:
 - A body (ie WSLYID-P - painted black)
- Includes fluted liner and convection fan.
- LP Conversion Kit available separately for IPI units.

STARTS AT

\$5,103 MSRP

WSLYID-P base model is ready to install with fluted liner & log set.

PART #	DESCRIPTION	MSRP
STEP 1:	CHOOSE A BODY	
WSLYID-P	Westley Cast Iron Gas Stove IPI w/Log Set, Fluted Liner, Fan, Remote - Painted Black	\$5,103
WSLYID-AB	Westley Cast Iron Gas Stove IPI w/Log, Fluted Liner, Fan, Remote - Antique Bronze	\$5,263

ADDITIONAL ACCESSORIES (OPTIONAL)

50-4148	DEXEN IPI NG to LP Conversion Kit (Stepper Motor Only) Orifice included with unit.	\$99
50-4151	B Vent Draft Hood Adaptor BRK/S40/WSLY - SIT & Dexen	\$160
MV223	Direct Vent Terminal Guard - 4" X 6" DV (14 7/8" x 14 7/8" x 10.5" D)	\$70





Westport

CAST IRON GAS STOVE



ORDERING NOTES

- To complete a unit, you need to order:
 - A body (ie WPID-P - IPI UNIT, painted black)
- Includes log set and ceramic brick liner.
- The Westport comes standard as a 30,000 BTU top vent NG unit and can be converted to a rear vent unit at 30,000 BTUs.
- The Westport comes with an NG valve. LP Conversion Kit available separately for IPI unit.

STARTS AT

\$4,750 MSRP

WPID-P base model is ready to install with brick liner & log set.

PART #	DESCRIPTION	MSRP
STEP 1: CHOOSE A BODY		
WPID-P	Westport FS Cast Iron Gas Stove IPI w/Remote, No Fan - Painted Black	\$4,750
WPID-AC	Westport FS Cast Iron Gas Stove IPI w/Remote, No Fan - Antique Chestnut	\$5,836



PART #	DESCRIPTION	MSRP
ADDITIONAL ACCESSORIES (OPTIONAL)		
50-3621	Westport Nova Fan Kit 150 CFM	\$545
50-4150	Westport IPI Fan Kit 150 CFM - SIT & Dexen	\$568
50-4176	Westport B Vent Draft Hood Adapter - SIT & Dexen	\$179
50-4148	DEXEN IPI NG to LP Conversion Kit (Stepper Motor Only) Orifice included with unit.	\$99
MV223	Direct Vent Terminal Guard - 4" X 6" DV (14 7/8" x 14 7/8" x 10.5" D)	\$70

Westport Cast Iron Gas Stove Accessories



50-3621
Westport Nova Fan Kit - 150 CFM



50-4150
Westport IPI Fan Kit - 150 CFM
SIT & Dexen



50-4176
Westport B Vent Draft Hood Adapter
SIT & Dexen



50-4148
DEXEN IPI NG to LP Conversion Kit
(Stepper Motor Only)
Orifice included with units.



Westport

STEEL GAS STOVE



ORDERING NOTES

- To complete a unit, you need to order:
 - A body (ie WP-STL2 - nova/millivolt)
- Includes log set.
- The Westport Steel comes standard as a 30,000 BTU top vent NG unit and can be converted to a rear vent unit at 30,000 BTUs.
- The Westport Steel comes with an NG valve. LP Conversion Kit included with Nova unit, available separately for IPI unit.

STARTS AT

\$3,047 MSRP

WP-STL2 base model is ready to install with log set included.

PART #	DESCRIPTION	MSRP
STEP 1: CHOOSE A BODY		
WP-STL2	Westport FS Steel Gas Stove 821 Nova w/LP Conv kit, No Fan - SPECIAL ORDER, Call For ETA *Remote Not Included with Nova Units - See options below	\$3,047
WPID-STL	Westport FS Steel Gas Stove IPI w/Remote, No Fan	\$3,422

ADDITIONAL ACCESSORIES (OPTIONAL)

50-3621	Westport Nova Fan Kit 150 CFM	\$545
50-4150	Westport IPI Fan Kit 150 CFM - SIT & Dexen	\$568
MV223	Direct Vent Terminal Guard - 4" X 6" DV (14 7/8" x 14 7/8" x 10.5" D)	\$70



PART #	DESCRIPTION	MSRP
50-4176	Westport B Vent Draft Hood Adapter - SIT & Dexen	\$179
50-4148	DEXEN IPI NG to LP Conversion Kit (Stepper Motor Only) Orifice included with unit.	\$99

MORE OPTIONAL ACCESSORIES *BELOW REMOTES FOR NOVA UNITS ONLY

3301-P2	Skytech Programmable Remote	\$301
TSST	Touch Screen On/Off Remote w/Thermostatic Control Mode, & Timer Mode	\$260
50-1570	Proflame GTM Remote Control System for Nova Valve - NG. *Adds flame modulation functionality, as well as fan speed control capability via remote control (when paired with 50-1572)	\$494
50-1572	Proflame GTM - Fan Electrical Box	\$321

Westport Steel Gas Stove Accessories



50-3621
Westport Nova Fan Kit - 150 CFM



50-4176
Westport B Vent Draft Hood Adapter
SIT & Dexen



50-4148
DEXEN IPI NG to LP Conversion Kit
(Stepper Motor Only)
Orifice included with units.



50-4150
Westport IPI Fan Kit - 150 CFM
SIT & Dexen

